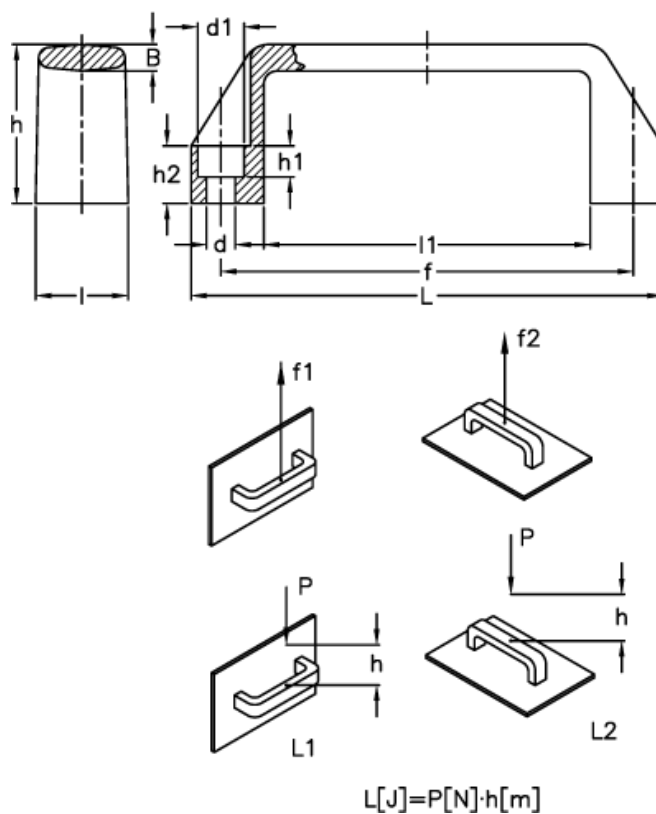


Data Sheet



Article number: 2304037254
Description: E+G Handle
M.443/260-CH, Grey

Measures



B	= 8.5	$h2$	= 20
d	= 10.5	l	= 31
$d1$	= 16.5	L	= 262
f	= 235 +/-1	$l1$	= 202
$F1$ (N)	= 3200	$L1$ (J)	= 30
$F2$ (N)	= 3500	$L2$ (J)	= 22
h	= 54		
$h1$	= 10.5		